

BRIDGE OVER THE REGENT'S CANAL, REGENT'S PARK.
MR. JOHN FOWLER, ENGINEER.

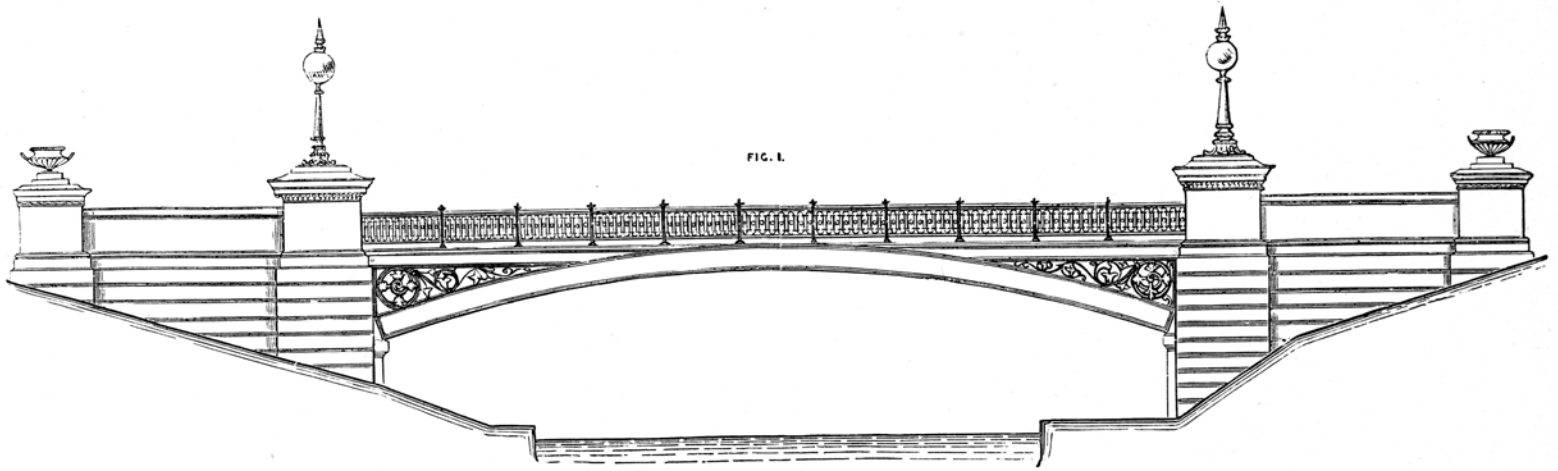


FIG. 1.

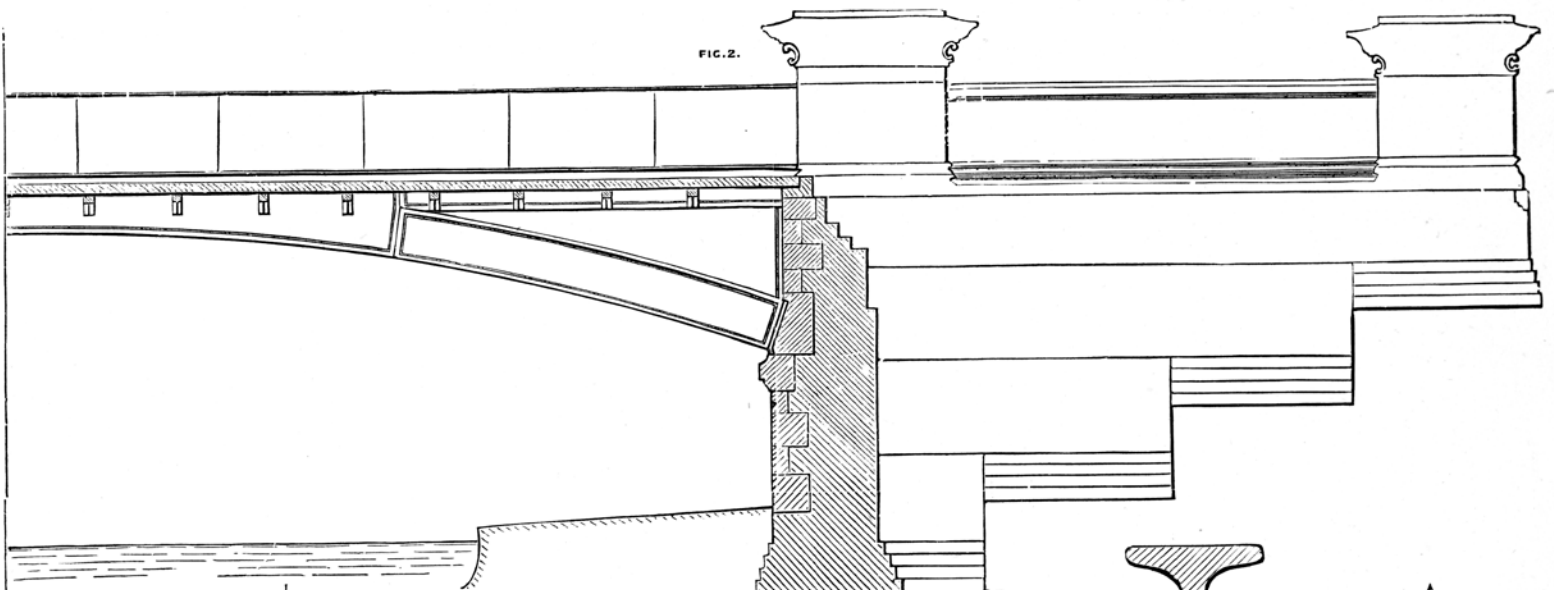


FIG. 2.

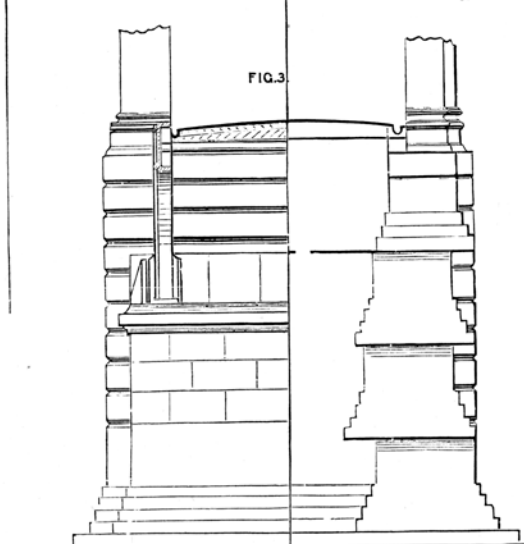


FIG. 3.

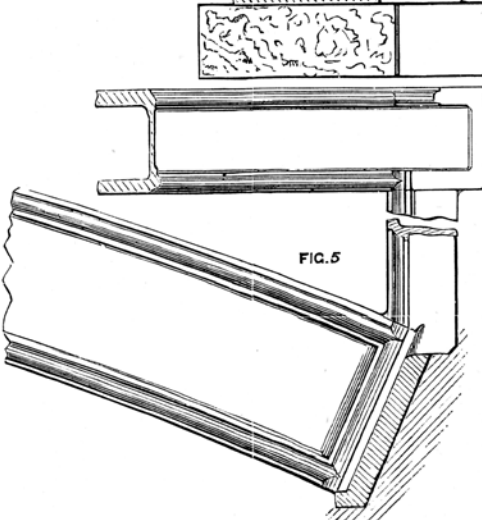


FIG. 4.

FIG. 5.

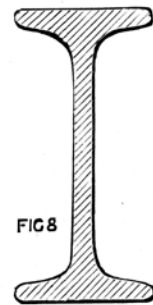


FIG. 8.

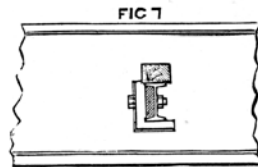


FIG. 7.

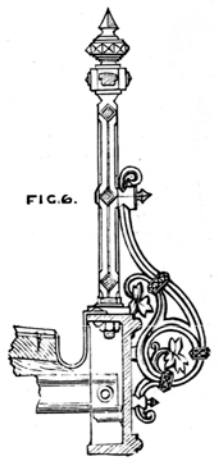


FIG. 6.

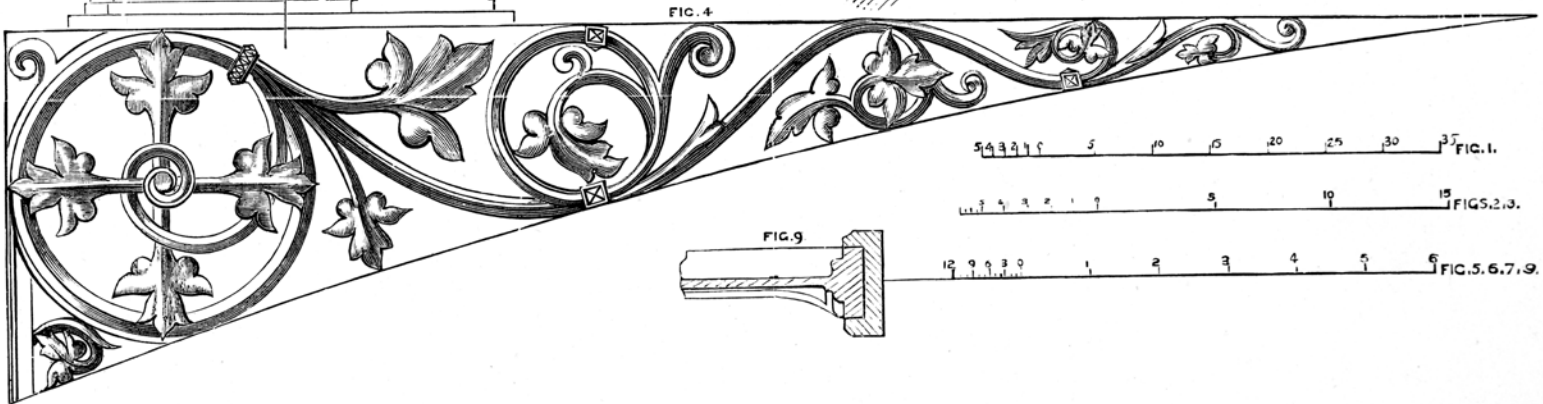


FIG. 9.

5 4 3 2 1 0 5 10 15 20 25 30 35 FIG. 1.

11 10 9 8 7 6 5 4 3 2 1 0 15 FIGS. 2, 3.

12 9 6 3 0 1 2 3 4 5 6 FIGS. 5, 6, 7, 9.