

THE WIDENING OF THE METROPOLITAN RAILWAY.

MR. JOHN FOWLER, ENGINEER.

FIG. 2. SECTION ON LINE A B.

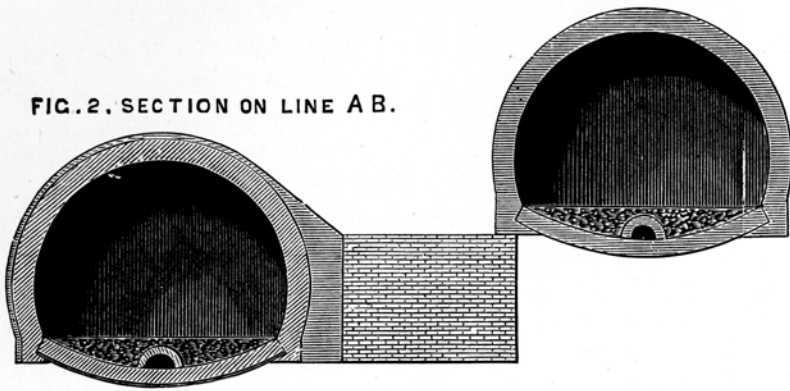


FIG. 3. SECTION ON C.D.

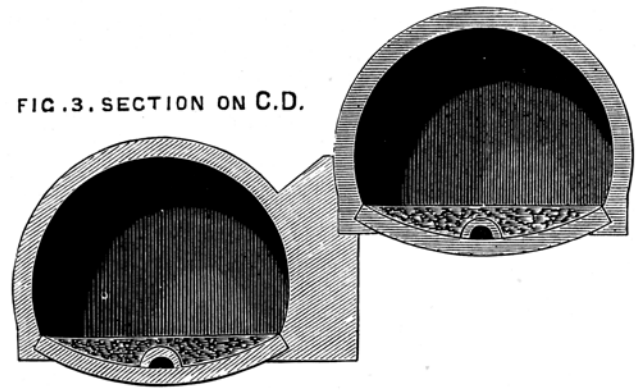


FIG. 4. SECTION ON E F.

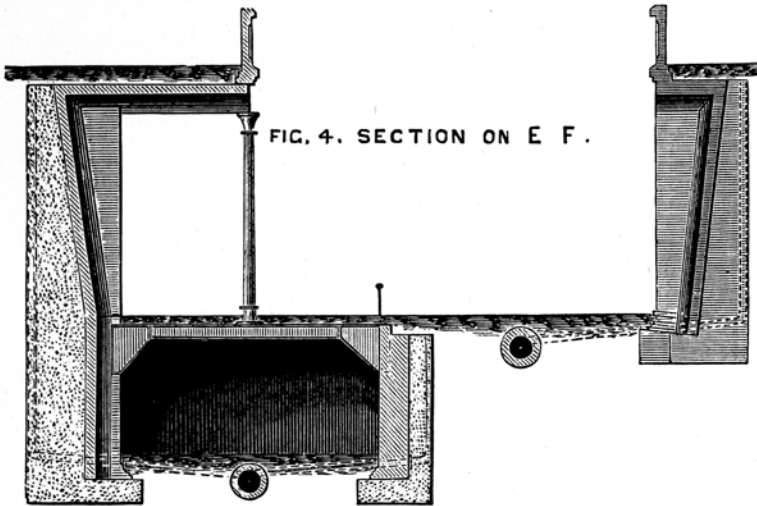


FIG. 5. SECTION ON G.H.

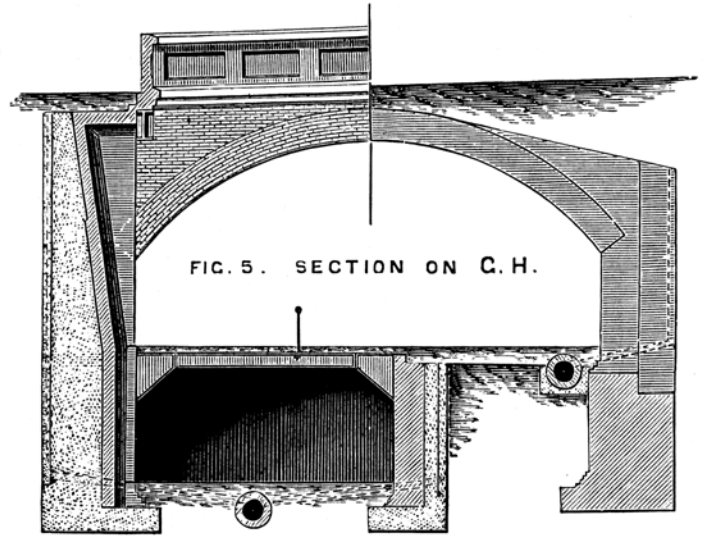


FIG. 6. SECTION ON I.J.

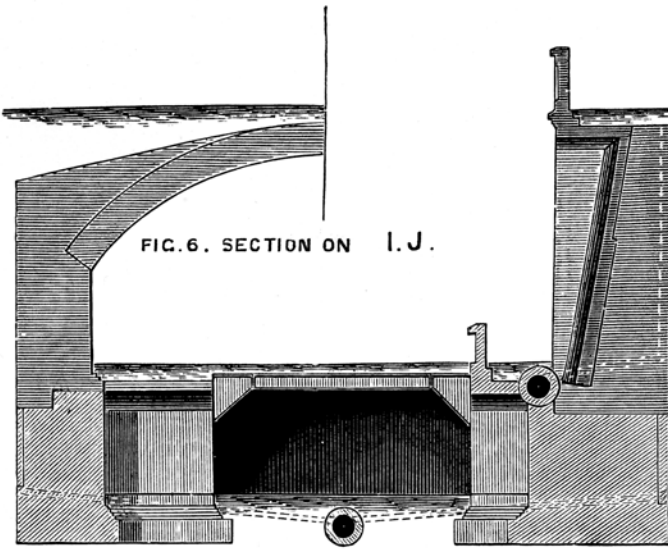


FIG. 7. SECTION ON K L

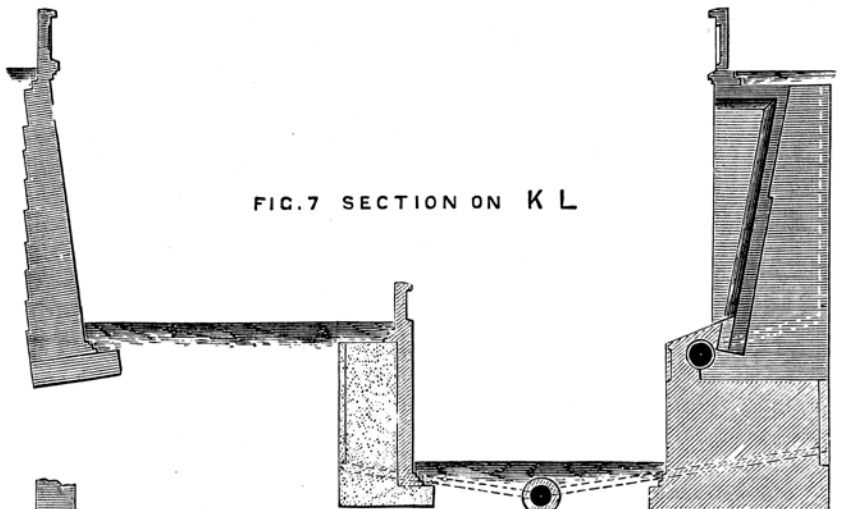


FIG. 8. SECTION ON M.N.

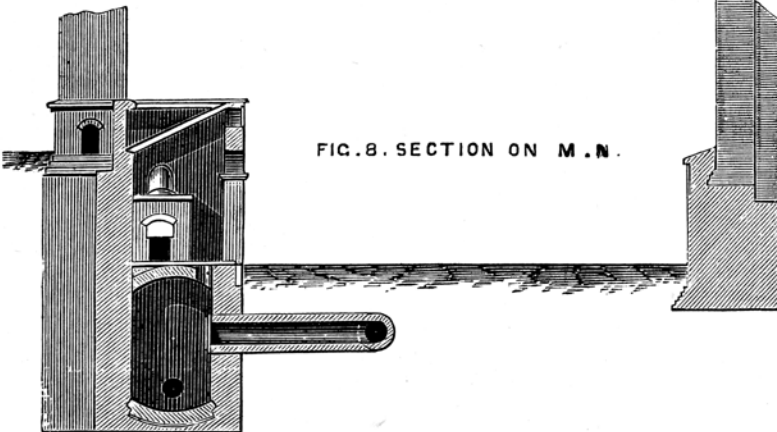


FIG. 9. SECTION O.P.

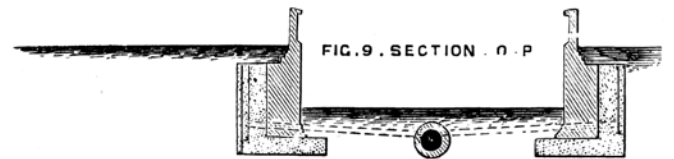


FIG. 10. SECTION Q.R.

