

Fig. 45

Scale 1/2 inch = 1 foot

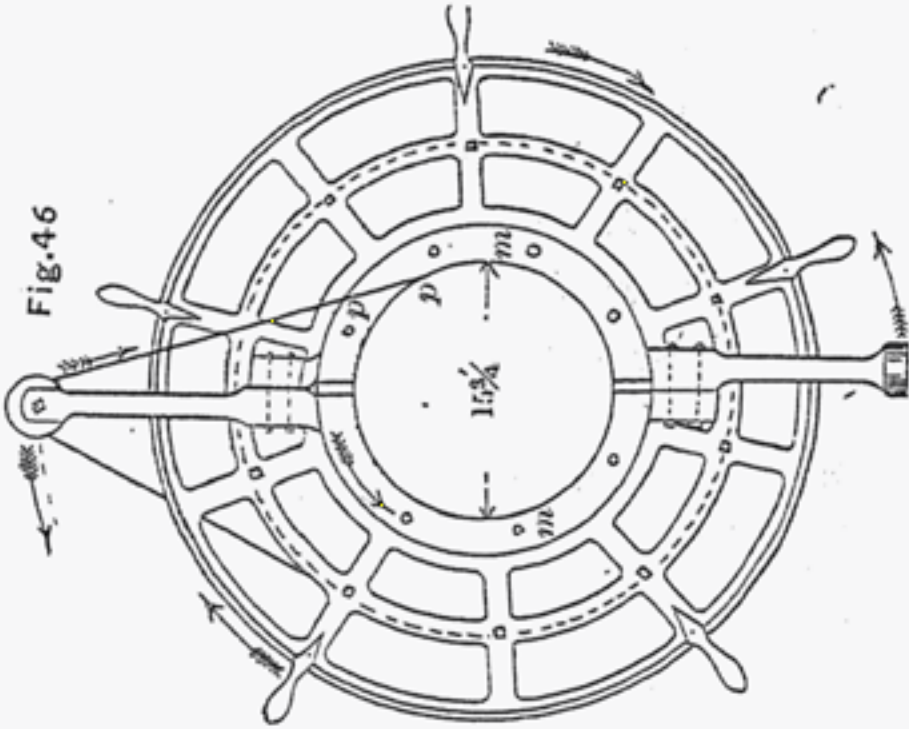


Fig. 46