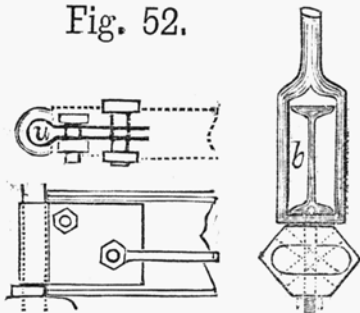


with square ends, and just long enough to go between the uprights of opposite trusses; and, provided with a fixture at each end, formed of a plate of iron about 3-8th'' thick, 7'' wide, and 2' long, bent in the form of a jews-harp bow. The loop, or bow, *u*, (F. 52,) is to encircle the upright, [and the straight sides, to receive the vertical web of the beam between them, and to be fastened thereto by two bolts & nuts. One of these should be 1 $\frac{1}{4}$ '' in diameter, and long enough to receive the eye of a

Fig. 52.



lateral diagonal stay, or sway-rod, (to prevent swaying or swinging,) under both head & nut, and placed about 5 $\frac{1}{2}$ '' from end of beam, and 2 $\frac{1}{2}$ '' from lower edge of plate. The other bolt may be 1 $\frac{1}{8}$ '' or 1 $\frac{1}{4}$ '' , and placed with its centre 1 $\frac{1}{2}$ '' from end of beam and upper edge of plate. The thread of the screw should not run into the plate, even if a washer be required under the nut, in order to fetch the work together. The connecting block should have an elevated ring around the upright, for the eye of